



# Riser Top Work Tables

## Stainless Steel Work Tables



Use your smart phone to scan the above QR code to visit our website:  
www.bk-resources.com

### Certifications:



### Features:

- Two (2) Sound Deadened Integrally Welded 5" "C" Channels to Reinforce and Maintain Level Working Surface
- Legs 1 5/8" Diameter
- 1 1/2" Splash Riser
- 84" & 96" Tables Have 6 Legs

### Options:

- Single & Double Overshelves
- Drawer Assemblies
- Casters
- Upgraded Bullet Feet
- Extra Shelves
- Adjustable Table Mount Pot Rack

### Material:

#### VTTR Series: S/S w/ Galvanized Legs & Undershelf

- T-430 18 ga. Stainless Steel Top
- Galvanized Legs & Adjustable Undershelf
- Adjustable High Impact Corrosion Resistant Feet

#### SVTR Series: S/S w/ Stainless Steel Legs & Undershelf

- T-430 18 ga. Stainless Steel Top
- Stainless Steel Legs & Adjustable Undershelf
- S/S Bullet Feet

### VTTR Series

#### S/S w/ Galv. Legs & Undershelf

Length	T-430 S/S 18" Width	Product Weight (lbs)	T-430 S/S 24" Width	Product Weight (lbs)	T-430 S/S 30" Width	Product Weight (lbs)
24"	VTTR-1824	33.00	VTTR-2424	37.00	-	-
30"	VTTR-1830	37.00	VTTR-3024	42.00	VTTR-3030	47.00
36"	VTTR-1836	41.00	VTTR-3624	47.00	VTTR-3630	53.00
48"	VTTR-1848	49.00	VTTR-4824	57.00	VTTR-4830	65.00
60"	VTTR-1860	57.00	VTTR-6024	67.00	VTTR-6030	77.00
72"	VTTR-1872	65.00	VTTR-7224	77.00	VTTR-7230	89.00
84"	VTTR-1884	73.00	VTTR-8424	87.00	VTTR-8430	101.00
96"	VTTR-1896	81.00	VTTR-9624	97.00	VTTR-9630	113.00

### SVTR Series

#### S/S w/ S/S Legs & Undershelf

Length	T-430 S/S 18" Width	Product Weight (lbs)	T-430 S/S 24" Width	Product Weight (lbs)	T-430 S/S 30" Width	Product Weight (lbs)
24"	SVTR-1824	35.50	SVTR-2424	39.50	-	-
30"	SVTR-1830	39.00	SVTR-3024	43.50	SVTR-3030	49.50
36"	SVTR-1836	43.00	SVTR-3624	49.00	SVTR-3630	56.00
48"	SVTR-1848	51.50	SVTR-4824	60.50	SVTR-4830	69.00
60"	SVTR-1860	62.00	SVTR-6024	69.00	SVTR-6030	82.00
72"	SVTR-1872	69.00	SVTR-7224	82.00	SVTR-7230	95.00
84"	SVTR-1884		SVTR-8424	105.00	SVTR-8430	112.00
96"	SVTR-1896	71.00	SVTR-9624	109.00	SVTR-9630	128.00

PRODUCT DATA SHEET

RESOURCES



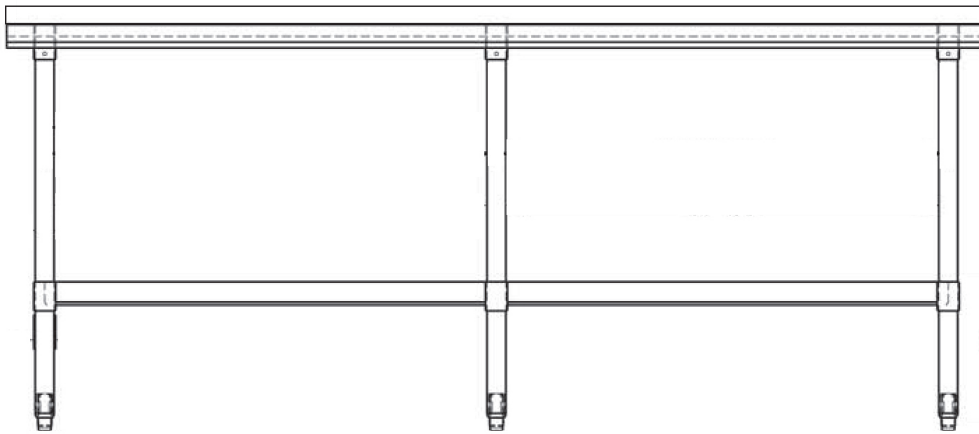
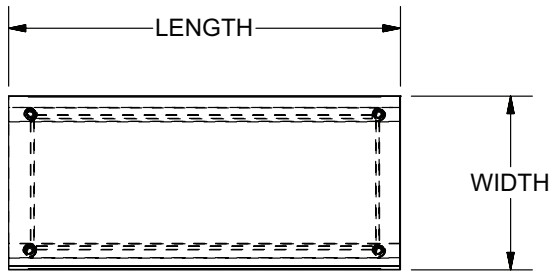


# Riser Top Work Tables (continued)

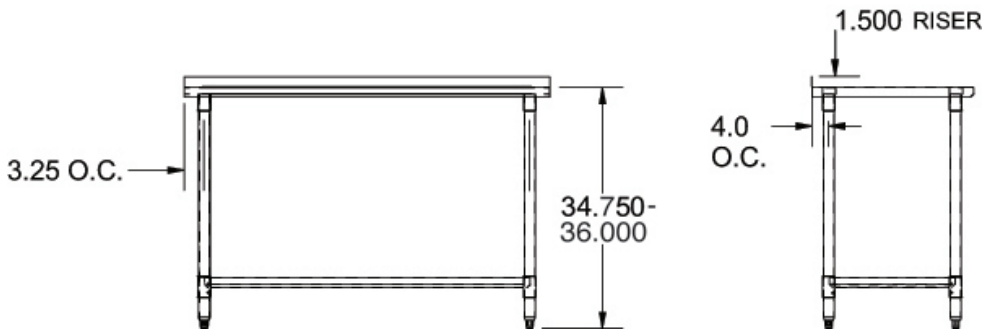
Stainless Steel Work Tables



Use your smart phone to scan the above QR code to visit our website:  
[www.bk-resources.com](http://www.bk-resources.com)



TABLES 7 FT. AND LARGER ARE FURNISHED WITH SIX (6) LEGS



PRODUCT DATA SHEET

BK RESOURCES

