

AMERICAN RANGE®

A  Company

Project _____

Item # _____

Quantity _____

MANUAL GRIDDLE

GAS TYPE: NATURAL LP



- AEMG-12 AEMG-24 AEMG-36
- AEMG-48 AEMG-60

STANDARD FEATURES

- Stainless steel exterior.
- Steel griddle plates in 1" thickness.
- One "U" shaped 30,000 BTU/hr. burner for every 12" of griddle surface for even cooking.
- Comes in a variety of widths from 24", 36", 48", 60" and 72" all with 21" cooking depth.
- 4" adjustable height legs included.
- Two year limited warranty, parts and labor.



Model AEMG-24

U shaped burner for each 12" of griddle surface, 30,000 BTU/hr per burner.



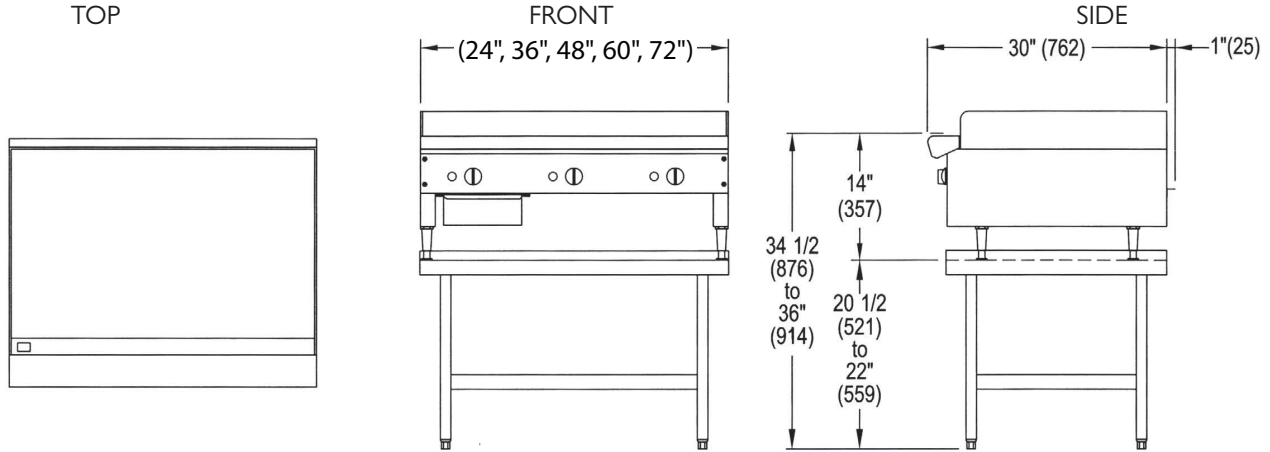
DESIGNED & BUILT IN USA
PROFESSIONAL COOKING EQUIPMENT

AMERICAN RANGE®

A  Company

13592 Desmond St Pacoima CA 91331
T. 818.897.0808 Toll Free: 888.753.9898
www.AmericanRange.com

MANUAL GRIDDLE



Model	Width (mm)	Depth (mm)	Height (mm)	Burners	Total BTU	(kW)	Shipping Weight	
							Lbs	(kg)
AEMG-12	12" (305)	30" (762)	10 1/2" (267)	1	30,000	(9)	100	(45)
AEMG-24	24" (610)	30" (762)	10 1/2" (267)	2	60,000	(18)	200	(91)
AEMG-36	36" (914)	30" (762)	10 1/2" (267)	3	90,000	(26)	300	(136)
AEMG-48	48" (1219)	30" (762)	10 1/2" (267)	4	120,000	(35)	400	(181)
AEMG-60	60" (1524)	30" (762)	10 1/2" (267)	5	150,000	(44)	500	(227)
AEMG-72	72" (1829)	30" (762)	10 1/2" (267)	6	180,000	(53)	600	(272)

Specify type of gas and altitude if over 2000 feet.
 Please specify gas type when ordering.

Optional Stainless Steel Shelf

Model	Lbs.	(kg)
ESS-12	35	(16)
ESS-24	47	(21)
ESS-36	54	(24)
ESS-48	72	(33)
ESS-60	99	(45)
ESS-72	110	(50)



OPTIONAL

- Stands (shown with optional casters)

COMBUSTIBLE WALL CLEARANCES:

For use only on non-combustible floors. Legs or casters are required, or 2" (51) overhang is required when curb mounted. Clearance from non-combustible walls is 0". When unit is placed next to combustible walls, clearances must exceed 12" (305) from sides, and 4" (102) from rear. Radiant broilers for non-combustible locations only.

Commercial cooking equipment requires an adequate ventilation system. For additional information, refer to the National Fire Protection Association's standard.

NFPA96 "Vapor Removal from Cooking Equipment." (NOTE: For North America only)

NMFCODE: 25970-2 Class: 85

Shipping weight includes packaging and is approximate.

NATURAL GAS	MANIFOLD PRESSURE	
	PROPANE GAS	MANIFOLD SIZE
5.0" W.C.	10.0" W.C.	3/4" (19MM)

